

Installation Instructions

安裝說明書

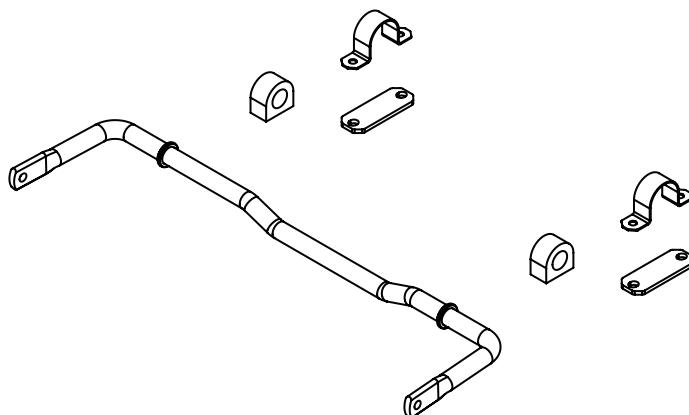
REAR SWAY BAR
後防傾桿, 25.4mm
#Q0535

Application 適用車型

TOYOTA RAV4 '19-

Components 內含配件

- ① Sway bar 防傾桿桿身1pcs
- ② Bushing 橡皮 2pcs
- ③ Bracket-upper 橡皮固定環-上2pcs
- ④ Bracket-lower 橡皮固定環-下2pcs



Caution 注意事項

- Installation is recommended to be performed by licensed mechanics with necessary tools to ensure safety. Incorrect installation may cause injury, damage to the product or vehicle. 安裝建議由合格的技師及工具執行以確保安全。安裝錯誤可能對人員、產品及車輛造成傷害。
- Note the routing of wires and cables before installation, or please refer to factory manual. 安裝前請事先記下線路的安裝路徑及位置以維持原廠配置。有疑問時請參考原廠手冊。
- Tighten bolts and nuts firmly by using handtools, and with specified torque if mentioned. 安裝過程請使用手動工具確實鎖緊螺帽及螺絲。如有特別註明請依照說明指示的扭力上鎖。



Instructions 安裝說明

1. Raise and safely support the vehicle.
將車輛升起。
2. Remove the sway bar end links.
將防傾桿連接桿(李仔串)拆下。
3. Remove the OE sway bar from rear subframe.
將原廠防傾桿從後副車架上拆下。
4. Install supplied sway bar bushings and OE bushing brackets onto the new sway bar.
使用附件橡皮及原廠固定環安裝新的防傾桿桿身。
5. Install the new sway bar to the subframe .
將新的防傾桿安裝至副車架。
6. Reinstall the sway bar end links.
將防傾桿連接桿(李仔串)裝上防傾桿。

