

Installation Instructions

安裝說明書

FRONT SWAY BAR

前防傾桿, 28mm

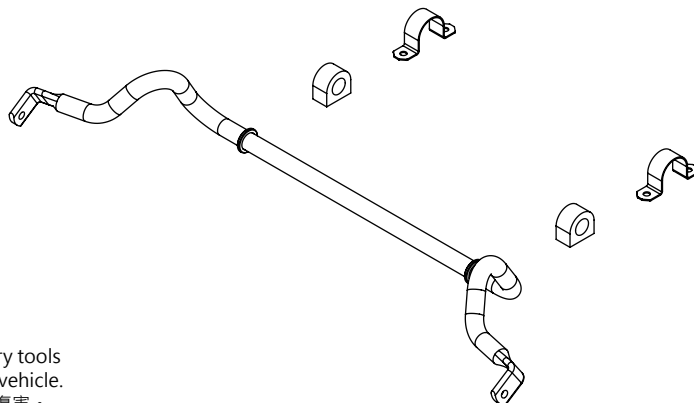
#Q0516

Application 適用車型

FORD FOCUS MK4

Components 內含配件

- ① Sway bar 防傾桿桿身.....1pcs
- ② Bushing 橡皮2pcs
- ③ Bushing clamp 橡皮固定環.....2pcs



Caution 注意事項

- Installation is recommended to be performed by licensed mechanics with necessary tools to ensure safety. Incorrect installation may cause injury, damage to the product or vehicle. 安裝建議由合格的技師及工具執行以確保安全。安裝錯誤可能對人員、產品及車輛造成傷害。
- Note the routing of wires and cables before installation, or please refer to factory manual. 安裝前請先記下線路的安裝路徑及位置以維持原廠配置。有疑問時請參考原廠手冊。
- Tighten bolts and nuts firmly by using handtools, and with specified torque if mentioned. 安裝過程請使用手動工具確實鎖緊螺帽及螺絲。如有特別註明請依照說明指示的扭力上鎖。

Instructions 安裝說明

1. Raise and safely support the vehicle.
將車輛升起。
2. Detach lower control arm ball joints and sway bar endlinks.
將前下控制臂球頭及防傾桿連接桿(李仔串)卸下。
3. Disconnect steering rack, rear engine mount and exhaust hanger attached to the front subframe.
將方向機、後引擎腳以及排氣管吊耳從前副車架拆下。
4. Use a transmission jack to drop the subframe.
使用變速箱千斤頂。將副車架卸下。
5. Remove the OE sway bar.
將原廠防傾桿拆下。
6. Install supplied sway bar bushings and clamps onto the new sway bar.
將附件橡皮及固定環安裝於新的防傾桿桿身。
7. Install the new sway bar to the subframe.
將新的防傾桿安裝至副車架。
8. Reinstall front subframe and all the disconnected parts.
裝回副車架。並將先前拆開的部分復原。

Note 提示

- ※ Please have the vehicle aligned after installation.
安裝完成後請接受電腦四輪定位校正。

