

# Installation Instructions

## 安裝說明書

FR. LOWER 4-POINT BRACE

前下井字拉桿

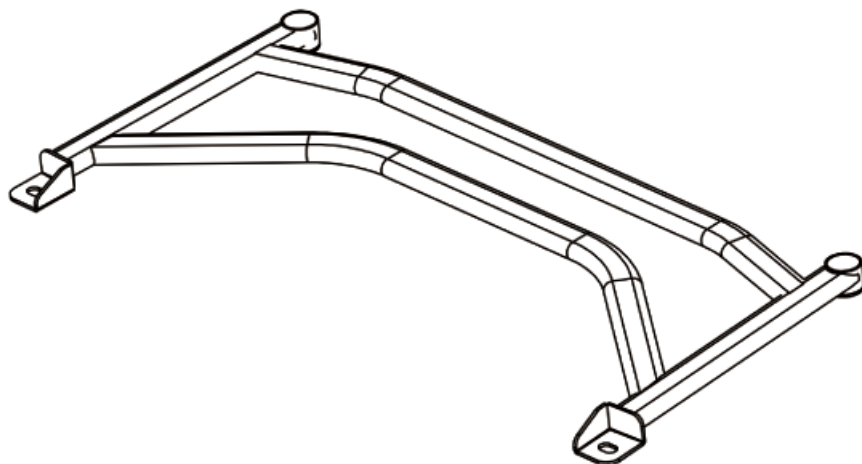
#Q0362

### Application 適用車型

HONDA CIVIC FB '12-16

### Components 內含配件

① Brace 結構桿桿身.....1pcs

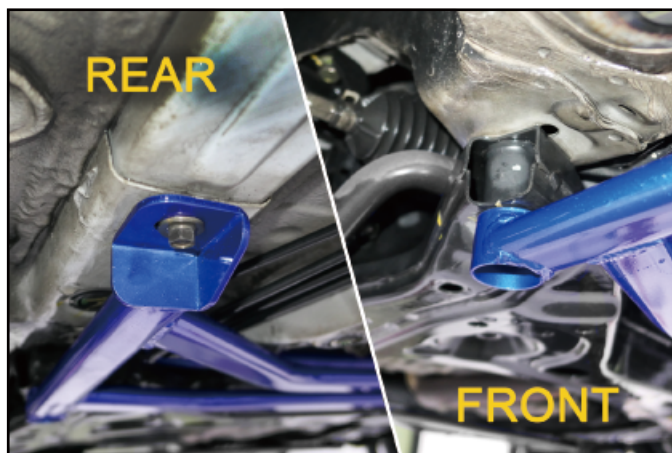


### Caution 注意事項

- Installation is recommended to be performed by licensed mechanics with necessary tools to ensure safety. Incorrect installation may cause injury, damage to the product or vehicle. 安裝建議由合格的技師及工具執行以確保安全。安裝錯誤可能對人員、產品及車輛造成傷害。
- Note the routing of wires and cables before installation, or please refer to factory manual. 安裝前請事先記下線路的安裝路徑及位置以維持原廠配置。有疑問時請參考原廠手冊。
- Tighten bolts and nuts firmly by using handtools, and with specified torque if mentioned. 安裝過程請使用手動工具確實鎖緊螺帽及螺絲。如有特別註明請依照說明指示的扭力上鎖。

### Instructions 安裝說明

1. Raise and safely support the vehicle.  
將車輛升起。
2. Support rear subframe using a jack.  
使用千斤頂將後副車架頂住。
3. Remove the rear subframe front mounting bolts and framerail bolts.  
拆卸後副車架前端固定螺絲以及底盤大樑螺絲。



4. Install the brace to the subframe and framerails.  
將結構桿桿身安裝至副車架及底盤。
5. Reinstall the bolts to secure the brace.  
完成後鎖上螺絲以固定桿身。

▲ Illustration of installed state 安裝完成示意圖