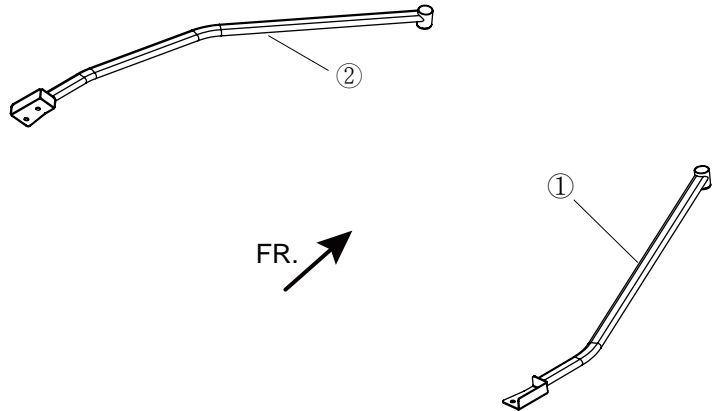


Application 適用車型

Toyota Alphard/Vellfire (GGH30) '15-Present

Components 內含配件

- | | |
|-----------------------------|------|
| ① Mid-lower brace-RH 中下拉桿-右 | 1PCS |
| ② Mid-lower brace-LH 中下拉桿-左 | 1PCS |



Caution 注意事項

- Installation is recommended to be performed by licensed mechanics with necessary tools to ensure proper installation and safety, or damage to the product or vehicle may occur.
- Note the routing and position of wires and cables before installation. Please refer to factory manual.
- Tighten bolts and nuts firmly using handtools, or with specified torque if mentioned.
- 安裝需由合格的專業技師及工具執行以確保安裝正確及安全，否則可能對產品或車輛造成傷害。
- 安裝前請記下線路安裝路徑及位置，或請參考原廠手冊。
- 請使用手動工具確實鎖緊螺帽及螺絲，或依照說明中標註的扭力上鎖。

Instructions 安裝說明

1. Jack up the vehicle to get access to the triangular brackets securing the front sub-frame to the chassis, and the factory braces at the middle and rear of the vehicle.

將車輛升起後找到固定前副車架於底盤的三角型支架以及鎖在車身中後段的原廠結構桿。

2. Remove the rear outer bolts of the triangular brackets (See figure 1), and the forward two bolts of the factory middle braces on both sides. (See figure 2)

拆卸兩側三角形支架後端靠外的螺絲(請參考圖表一)，以及兩側原廠結構桿前端各兩個螺絲。(請參考圖表二)

3. Position ① Mid-lower brace-RH and ② Mid-lower brace-LH as shown in the figures, then tighten using the original bolts.

依照圖表置入 ①中下拉桿-右 及 ②中下拉桿-左，並沿用原螺絲將拉桿鎖上。

