

Installation Instructions

安裝說明書

FRONT STRUT BRACE

引擎室拉桿

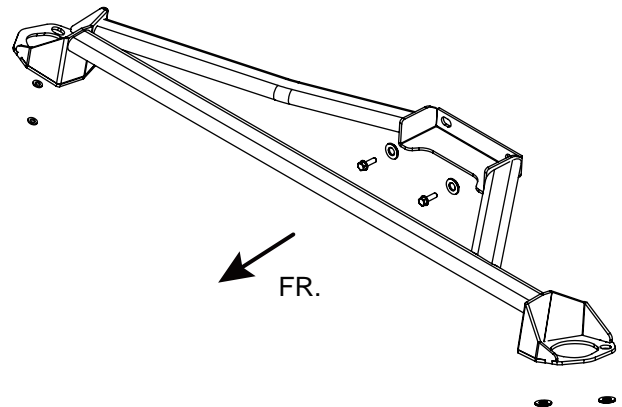
#Q0066

Application 適用車型

Honda Civic '92-95 EG
Honda Civic '95-00 EK
Honda Del Sol '93-98
Acura Integra '94-01

Components 內含配件

① Strut brace 引擎室拉桿	1PCS
② Flange bolt 凸緣螺絲 (M6x1.0x20)	1PCS
③ Washer 華司 (20.8x10.7x2)	4PCS
④ Washer 華司 (12.3x6.5x1.5)	2PCS



Caution 注意事項

- Installation is recommended to be performed by licensed mechanics with necessary tools to ensure proper installation and safety, or damage to the product or vehicle may occur.
- Note the routing and position of wires and cables before installation. Please refer to factory manual.
- Tighten bolts and nuts firmly using handtools, or with specified torque if mentioned.
- 安裝需由合格的專業技師及工具執行以確保安裝正確及安全，否則可能對產品或車輛造成傷害。
- 安裝前請記下線路安裝路徑及位置，或請參考原廠手冊。
- 請使用手動工具確實鎖緊螺帽及螺絲，或依照說明中標註的扭力上鎖。

Instructions 安裝說明

1. Remove the two nuts from the strut mount studs on both sides.
拆卸兩側避震器上座的螺帽。
2. Install supplied ③ Washers to the strut mount studs.
(See figure 1)
使用配件 ③ 華司 置入避震器上座螺柱。(請參考圖表一)
3. Place ① Strut brace on the strut towers. (See figure 2)
將 ① 引擎室拉桿 放置於避震塔上。(請參考圖表二)
4. Reinstall the removed nuts to the strut mount studs, then bolt the middle part of the brace with supplied ② Flange bolts and ④ Washers. (See figure 2 & components figure)
將已拆下的螺帽鎖回兩側避震器上座，接著使用配件 ② 凸緣螺絲 以及 ④ 華司 將桿身中間部分鎖上。(請參考圖表二及配件圖)

