

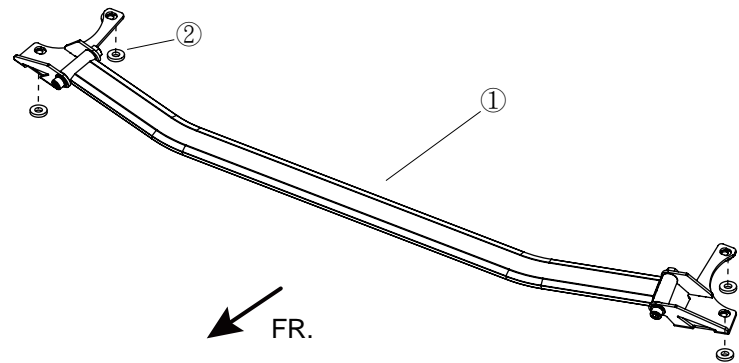
Application 適用車型

Toyota Corolla ALTIS '07-

Toyota Wish '09-16

Components 內含配件

- | | |
|-----------------------|------|
| ① Strut Brace 引擎室拉桿總成 | 1PCS |
| ② Washer 華司 | 4PCS |



Caution 注意事項

- Installation should be performed by licensed mechanics with necessary skill and tools to ensure safety.
- Before installation, be sure to note the routing, position of all wires and cables. Please refer to factory manual for proper installation.
- Tighten bolts and nuts firmly using handtools, or with specified torque if mentioned.
- 安裝需由合格的專業技師及工具執行，以確保安全。
- 安裝前請記下線路安裝路徑及位置，請參考原廠手冊。
- 請使用手動工具確實鎖緊螺帽及螺絲，或依照說明中標註的扭力上鎖。

Instructions 安裝說明

1. Make sure all wheels are on the ground when performing installation, then remove the nuts toward front and inner of the strut mounts on both sides. (Circled)

確認車輛處於四輪著地狀態，接著拆卸兩側避震器前方及內側上座螺帽共4顆(畫圈處)。

2. Place ② Washer into the front and inner studs, then position ① Strut Brace over the strut mounts and tighten the nuts.

使用配件 ② 華司 置入避震器上座前方及內側螺柱，再將 ① 引擎室拉桿裝上避震器上座，並鎖回避震器上座螺帽。

3. Illustration of installed state.

完成示意圖

