

Installation Instructions

安裝說明書

REAR STAB. LINK

強化後李仔串

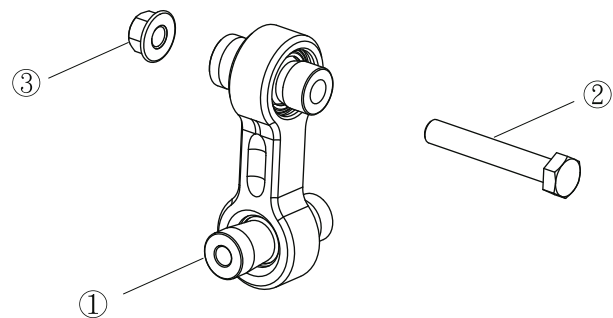
#8806

Application 適用車型

Volkswagen Golf MK7 '14-present
Volkswagen Passat B8 '14-present
Audi TT MK3 '14-present

Components 內含配件

① Stabilizer link 李仔串	2PCS
② Bolt 螺絲 (10x1.25x70)	2PCS
③ Nut 螺帽 (10x1.25-14x10)	2PCS



Caution 注意事項

- Installation is recommended to be performed by licensed mechanics with necessary tools to ensure proper installation and safety, or damage to the product or vehicle may occur.
- Note the routing and position of wires and cables before installation. Please refer to factory manual.
- Tighten bolts and nuts firmly using handtools, or with specified torque if mentioned.
- 安裝需由合格的專業技師及工具執行以確保安裝正確及安全，否則可能對產品或車輛造成傷害。
- 安裝前請記下線路安裝路徑及位置，或請參考原廠手冊。
- 請使用手動工具確實鎖緊螺帽及螺絲，或依照說明中標註的扭力上鎖。

Instructions 安裝說明

1. Remove the stock rear stabilizer links from the sway bar and lower control arms on both sides.
將原廠後李仔串從防傾桿及下控制臂上拆下。
2. Position ① Stabilizer links on to the sway bar and lower control arms. Please note that the ends with equal length spacers should be fitted to the lower control arms, then locate the other ends to the sway bar with the shorter sides attached to the sway bar.
將 ① 強化李仔串 裝上後防傾桿以及後下控制臂。請注意將魚眼兩邊等長的一端裝上下控制臂，另一端則將較短的一邊朝向防傾桿裝上。
3. Install the links with supplied ② Bolts and ③ Nuts to the sway bar, then bolt the links to the lower control arms using original bolts and nuts.
使用配件 ② 螺絲 及 ③ 螺帽 將李仔串鎖上防傾桿，接著沿用原螺絲及螺帽鎖上下控制臂。

