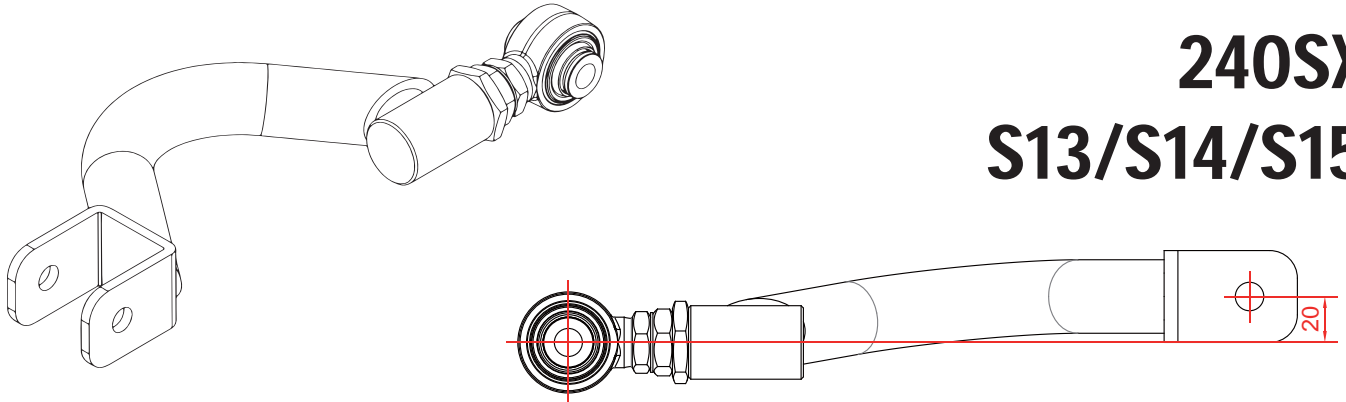


NISSAN
240SX
S13/S14/S15



REAR CAMBER KIT

#8080

New Releases! Rear camber kit for NISSAN 240SX S13/S14/S15

The all new design camber kit fits S13 with S14 design, easy installation on S13
Good for extreme lower cars and better clearance
Arm geometry is lowered by 20 mm



Features

- Bushing: Pillow ball bushing
- Assists to reduce chassis twist and flex
- Increases steering response
- Anti-corrosion coating for extended control arm life
- 3D design processing

