

# Installation Guide

## 安裝說明書

VEHICLE APPLICATIONS  
適用車型

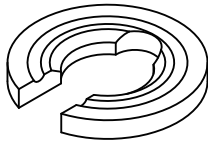
LEXUS IS 1st XE10 1999-2005 / GS 2nd JZS160 1998-2005 / SC 2nd Z40 2001-2010  
TOYOTA ARISTO JZS16 1997-2004 / ALTEZZA SXE 10 98-05  
TOYOTA CROWN MAJESTA JZS, UZS 17# 99-04 / CROWN JZS 17# 99-07

PART NO. 7325

### Contents 內含配件

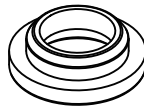
※ Please apply hand tools for installation  
安裝過程請使用手動工具

①



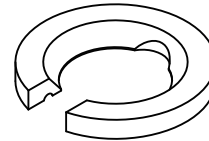
UPPER  
前上後上墊片

②



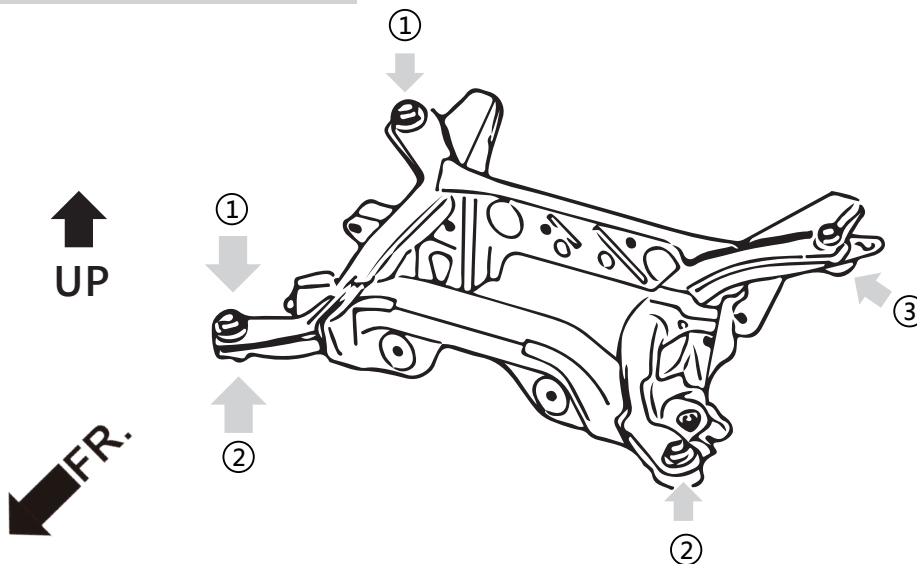
F.LOWER  
前下墊片

③



R.LOWER  
後下墊片

### Installation tips 安裝提示



大樑前端安裝示意圖



大樑後端安裝示意圖



大樑實裝

### Warning 安全提示

Installation should only be performed by licensed mechanics who have the necessary skill and tools to do the job correctly and safely.

安裝需由合格的專業技師及工具執行，以確保安裝過程的正確與安全

When swapping the suspension kits, be sure to note the routing and mounting position of all wires, cables and bolts orientation, certain damage might be caused by reinstalling differently from the original factory position. Please refer to factory manual for proper installation and safety stands.

當更換您車輛的懸吊套件時，請記下您的線組與管線安裝位置，非原廠相同的安裝位置可能會造成元件之損壞，造成車輛的危險。請參考原廠車輛手冊



TEL: +886 3 5370822 FAX: +886 3 5373027  
E-MAIL: info@hardrace.com WEBSITE: WWW.HARDRACE.COM

