

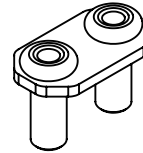
Installation Guide

安裝說明書

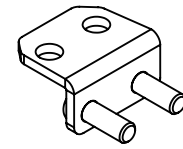
VEHICLE APPLICATIONS 適用車型：Ford FIESTA'14
PART NO. 7786

Contents 內含配件

1. M12x1.25-19x13.5mm (4PCS)
2. M10x1.25-14x9mm (4PCS)
3. Spring Washer 彈簧華司 (4PCS)
4. Washer 華司 (4PCS)
5. Accessory A 配件A (2PCS)
6. Accessory B 配件B (R/L)



Accessory A
配件A

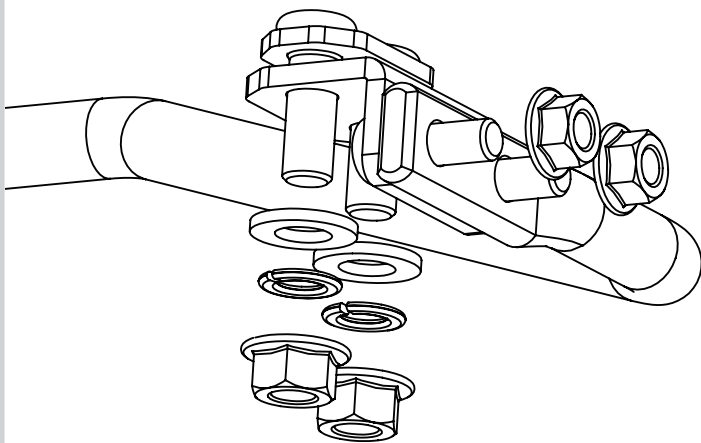


Accessory B
配件B



Rear Sway Bar
後防傾桿

Installation tips 安裝方法



STEP 1

Safely lift up the vehicle and remove two rear wheels. Support the RH/ LH lower spring seat by jack stand. Remove 15mm bolt under the coilover, then insert accessory A as shown below.

車輛頂高之後拆下後兩輪，利用支撐架頂住左或右避震器彈簧下座拆下避震器下端15mm螺絲，放入配件A，如左下圖所示

STEP 2

Utilize the washers and spring washers to fix Accessory B (R/L) to Accessory A. Then screw 19mm nut (Do not fasten the nut at this step for easier adjustment afterward).

使用配件B(R/L) 固定至配件A，使用墊片及防鬆墊片，鎖上19mm螺帽(先別鎖緊，左右步驟相同)

STEP 3

While installing the sway bar, adjust the position carefully to ensure the holes are aligned (if the nuts were fastened at step 2, adjustment would not be allowed). Fasten 14mm nuts first then 19mm.

裝上防傾桿部分時，需注意孔對準(若步驟2鎖緊就無法微調固定座)先鎖緊14mm螺帽，再鎖緊19mm螺帽